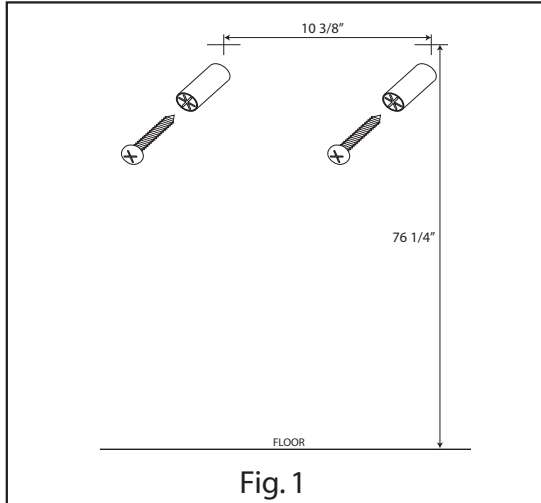


# Mounting Instructions for CABSET500

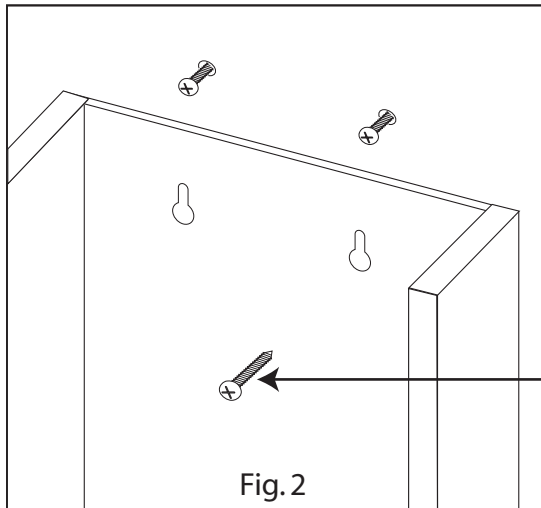
This cabinet includes basic mounting hardware. Depending on where you are mounting the cabinet set we recommend using stronger hardware and wall anchors purchased at your local hardware store.



One of the two mounting screws must be screwed directly into a stud. The center of the holes should be 10 3/8" apart as indicated in fig.1.

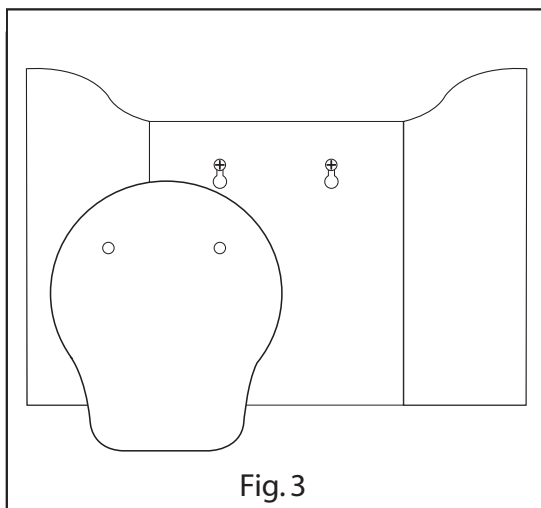
Insert plastic wall anchors.  
(not needed if mounting into the wall stud)

Be sure both holes are level.



With mounting screws screwed about half way into wall, hang dart board cabinet.

Depending on the mounting surface additional mounting screws may be added. It is up to the installer to determine if additional hardware is needed. For best results it is recommended that holes be pre-drilled in the back wall of the cabinet.



With cabinet fixed to the wall, tighten screws into the wall just enough to allow room to hang dartboard.

Line-up screw holes on back of dartboard with the screws in cabinet. Hang dartboard in cabinet.

## Toe line placement instructions

For steel tip play the throw line should be 7' 9-1/4" from front of dartboard.  
For soft tip play the throw line should be 8' from front of dartboard.