

Prince EZ Fold

The Prince Ez Fold makes it possible for one person to raise and lower their CFTT Table.

Attach smaller ring to pull, as shown in Fig. A. Secure the other end of the cord and large ring under the table as shown.

Attach second cord-securing bracket to the bottom of the table so that slack is removed from the cord and angle of cord, from the pull to the bracket, is as straight as possible such as shown in Fig. B.

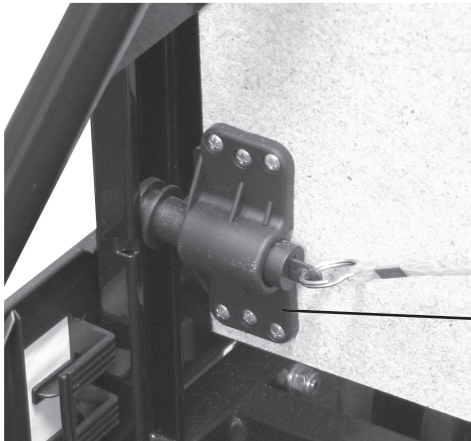


FIG. A

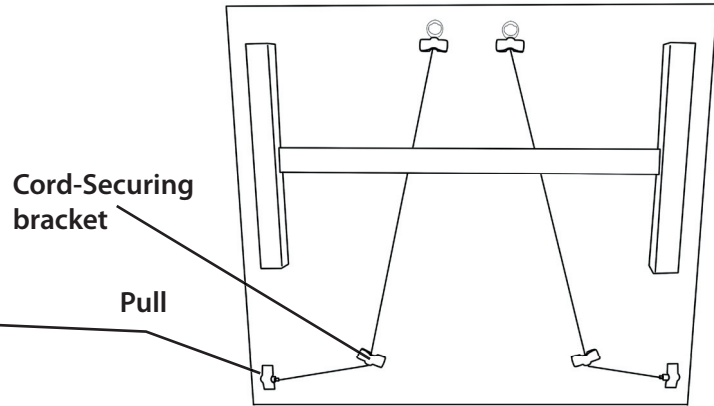


FIG. B

Prince Ball Return

The patent pending Prince ball return system is an optional feature available only on Prince table tennis tables. With a slight tug of the ring attached to the apron, balls resting against the net are propelled back to you.

Temporarily remove the 1" metal ring and feed it through the small hole found in the plastic corner bracket. Re-attach the 1" metal ring as shown in Fig. A.

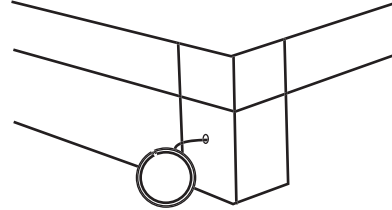
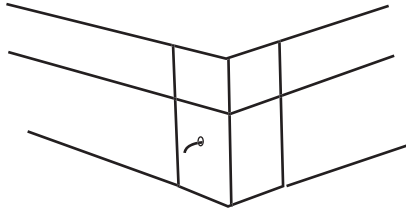


FIG. A

Run the cord along the inside of apron and attach spring clasp to the end of the net as shown in Fig. B. When folding your table for storage, be sure to place cord outside of the apron, as shown in Fig. C, so that it does not snag on the corner of the apron and break.

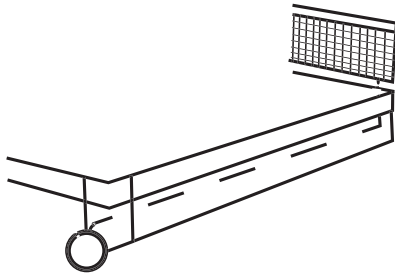


FIG. B

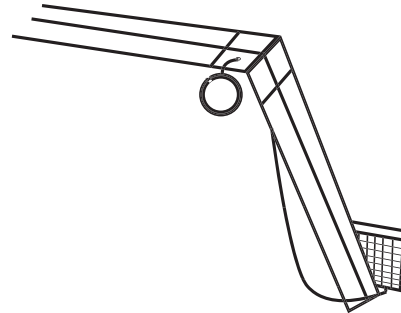


FIG. C