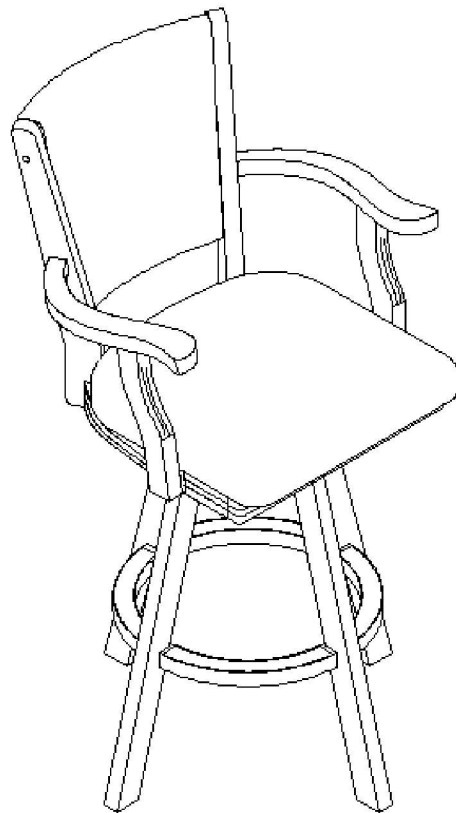


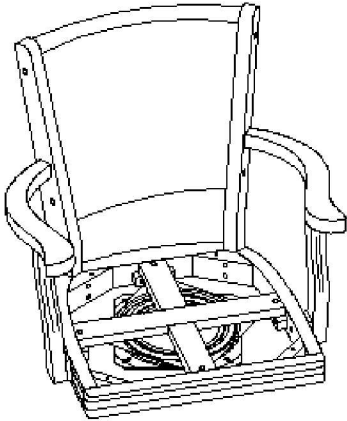
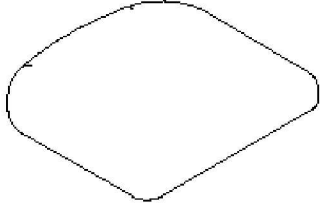
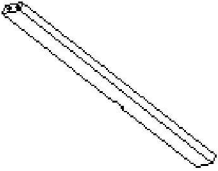

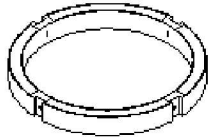








American Legend™ Furniture



SWIVEL CHAIR

Item#: FBS02

FURNITURE COMPONENTS AND HARDWARE

<p>P1</p>  <p>ASSEMBLED FRAME 1PC</p>	<p>P5</p>  <p>SEAT CUSHION 1PC</p>
<p>P2</p>  <p>LEG 4PCS</p>	<p>H1</p>  <p>SPRING WASHER ϕ 1/4" 8PCS</p>
<p>P3</p>  <p>FOOT REST 1PC</p>	<p>H2</p>  <p>WASHER ϕ 1/4"*19mm 4PCS</p>
<p>P4</p>  <p>LINK BOARD 1PC</p>	<p>H3</p>  <p>SCREW 8#*1-1/2" 4PCS</p>
	<p>H4</p>  <p>BOLT ϕ 1/4"*1" 4PCS</p>
	<p>H5</p>  <p>BOLT ϕ 1/4"*1-1/4" 8PCS</p>
	<p>H6</p>  <p>PLUG ϕ 13*9mm 4PCS</p>
	<p>H7</p>  <p>WOOD GLUE 1PC</p>
	<p>H8</p>  <p>ALLEN WRENCH 1/4" 1PC</p>