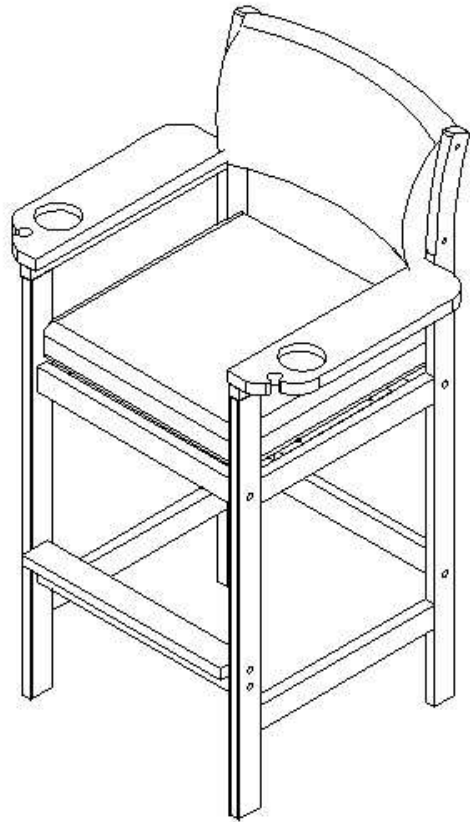


*American
Legend™
Furniture*



SPECTATOR CHAIR

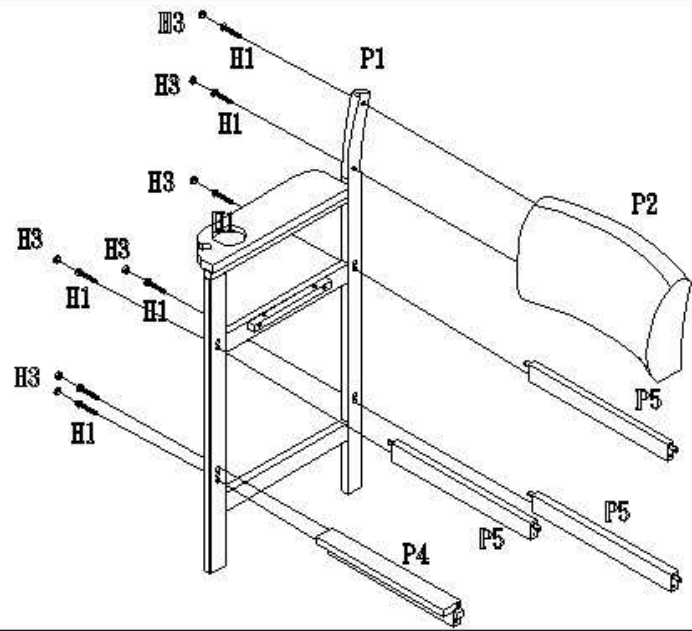
Item#:FSC02

FURNITURE COMPONENTS AND HARDWARE

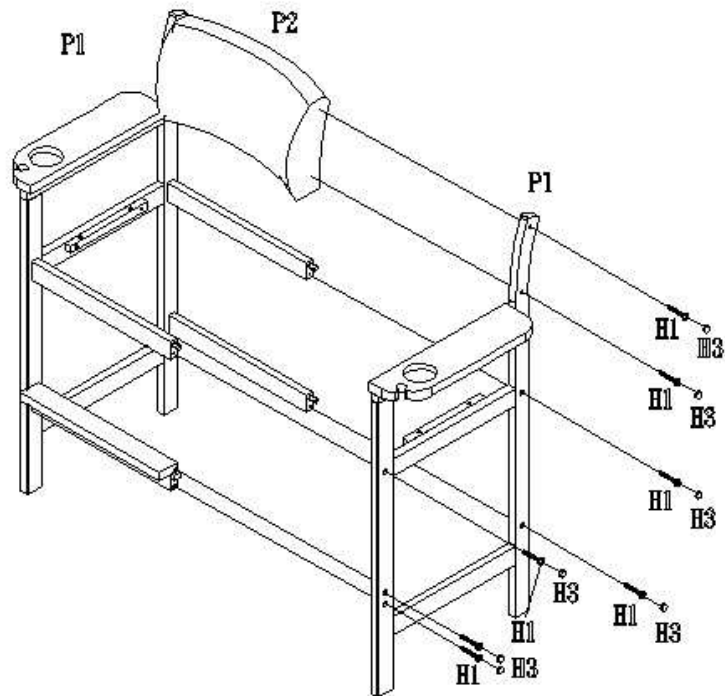
P1		A1 ASSEMBLED FRAME A2 ASSEMBLED FRAME	1SET
P2		BACKREST	1PC
P3		SEAT CUSHION	1PC
P4		FOOT REST	1PC
P5		LINK WOOD	3PCS
H1		BOLT	14PCS
H2		SCREW	4PCS
H3		PLUG	14PCS
H4		WOOD GLUE	1PC

ASSEMBLY INSTRUCTIONS

STEP1



STEP2



ASSEMBLY INSTRUCTIONS

STEP3

