

Goal Flex™ Rail Replacement Instructions

Note: Make sure that the ribbon wires of your Goal Flex™ goal rail are detached from your console before removing the goal rail. The connection for the goal rail wire can be located directly under the console.

STEP 1.

With a screw driver, locate the Goal Rail mounting screws from within the table hockey goal as indicated by the arrows in figure 1. Carefully remove the screws while holding the Goal Flex™ goal housing you want to remove in place. It would be easiest to have another adult holding the goal rail while the screws are removed. (Goal rail image may not match your table. Image is for reference only.)

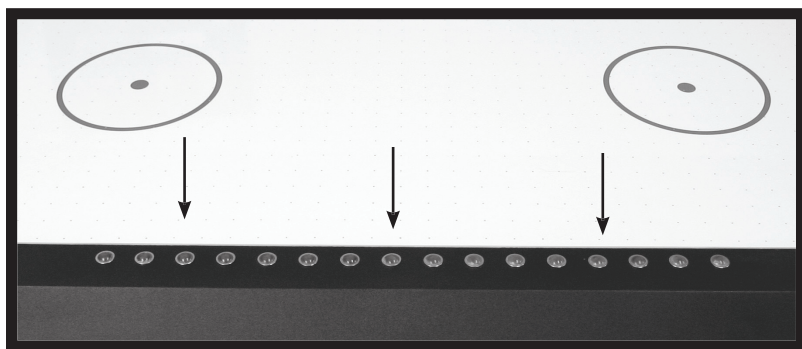


FIG. 1

STEP 2.

Once you have removed the goal rail from your table hockey table, insert the metal rebound bar inside the new goal housing. Reinsert the new goal housing with rebound bar under table into the open slot and gently reinstall screws through the rebound bar and new goal housing. Do not over tighten the goal housing as it may deform the housing and effect the performance of the sensors. Once you have secured the new goal rail, attach the goal rail wire to the console.

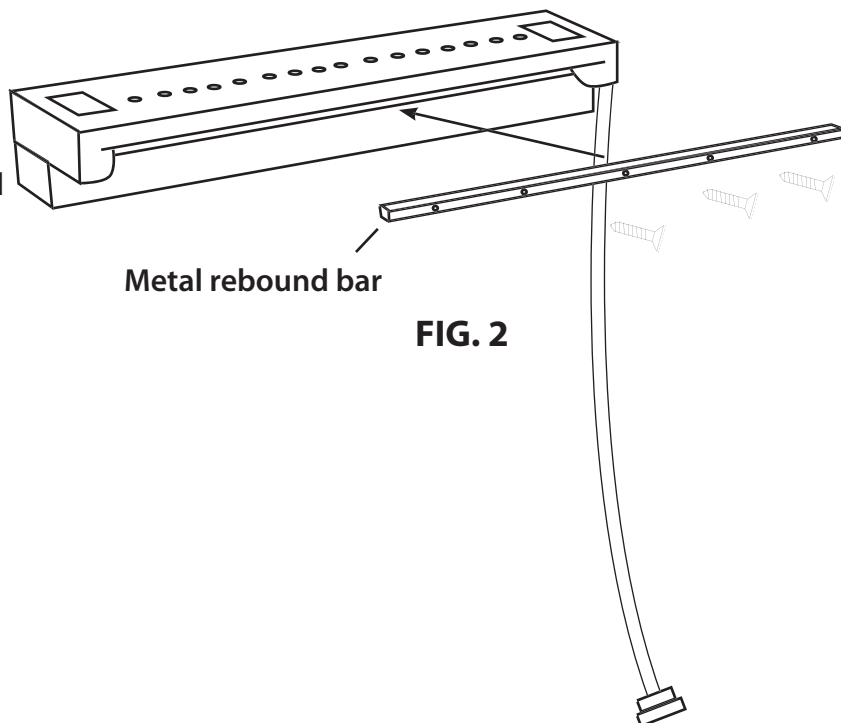


FIG. 2